

IMPORTANT: 200TT brake levers are compatible with caliper brakes and TT (Aero style) handlebars or Bull Horn handlebars. The fit range for the handlebar's inside diameter is 18.9-20.6 mm. A mtn. bike style brake cable (barrel end) must be used with the 200TT brake levers.

CAUTION: For carbon fiber handlebars it is very important that you contact the handlebar manufacturer or refer to the handlebar installation instructions before the 200TT brake levers are installed.

Installation of levers on handlebar

The 200TT brake levers must be mounted to the internal portion of the handlebar. Remove the existing levers, cables and handlebar tape (if needed). Turn the 4 mm adjusting bolt 2-3 turns (counterclockwise) to allow installation of the expanding wedge plug. Place each 200TT lever into the open portion of the handlebar.

Note: Make sure to mount each 200TT lever so that the open end of the handlebar seats flush against the brake lever bracket (groove in lever bracket).

Tighten the 4 mm adjusting bolt after positioning each brake lever in a downward angle. If using aluminum handlebars, tighten the adjusting bolt to a final tightening torque of 70 in-lb. or 8 N-m.

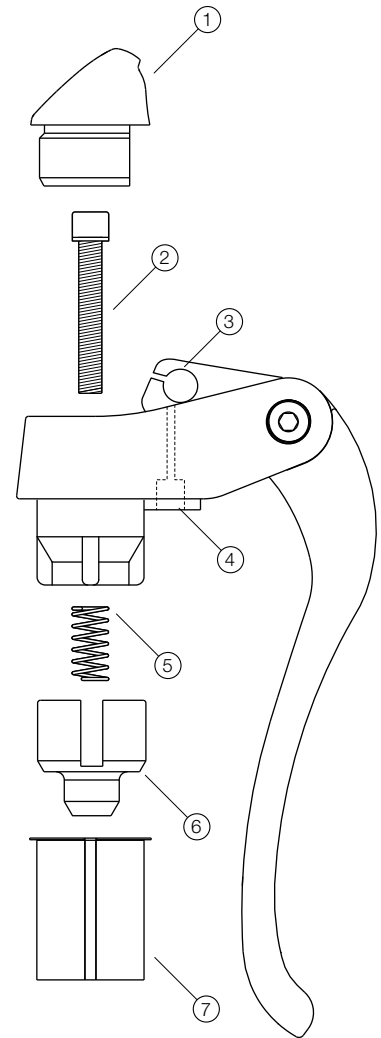
CAUTION: If using a Carbon handlebar make sure to refer to the handlebar installation instructions for compatibility and torque specifications.

Brake cable and housing installation

Lightly lubricate the barrel end of the cable. Install the brake cable barrel into the slot on the brake lever handle. Thread the brake cable through the lever handles' cable housing stop making sure not to kink or bend the brake cable.

Housing and cable routing

It is necessary to install a brake cable ferrule onto the cable housing at the point of contact on the 200TT brake cable housing stop. Make sure to allow adequate cable housing (slack) for proper handlebar rotation before cutting the brake housing and brake cable. It may be necessary to refer to the handlebar manufacturers instructions for proper cable routing specifications (such as internal cable routing). Cut the brake cable housing using shop quality cutting tools. Refer to the brake caliper installation instructions for proper setup and torque specifications's of the cable anchor bolt. Cut the brake cable leaving 1-2 cm's of extra cable to allow for future adjustments. Make sure to install a cable end cap after tightening the cable anchor bolt. Apply handlebar tape as desired.



- ① Thumb plug
- ② 4 mm adjusting bolt
- ③ Brake cable slot
- ④ Cable housing stop
- ⑤ Spring
- ⑥ Expanding wedge plug
- ⑦ Shim sleeve (0.3mm)

WARRANTY

Cane Creek Cycling Components warrants its bicycle products for a period of 2 years from the original date of purchase. Any product that is found to be defective in materials or workmanship will be repaired or replaced at the discretion of Cane Creek. This warranty applies to the original owner only. This warranty does not cover damage or failure resulting from misuse, abuse, alteration, neglect, wear and tear, crash or impact, lack of maintenance or other conditions judged by Cane Creek to be abnormal, excessive, or improper. It is mandatory that a Return Authorization Number (RA#) be obtained by calling Cane Creek before any product is returned. Additionally, a dated Proof of Purchase must accompany the product when returned.