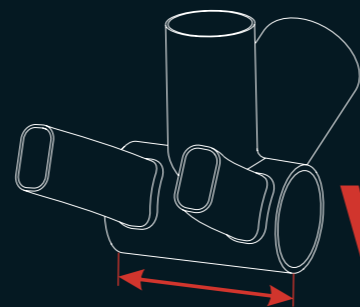
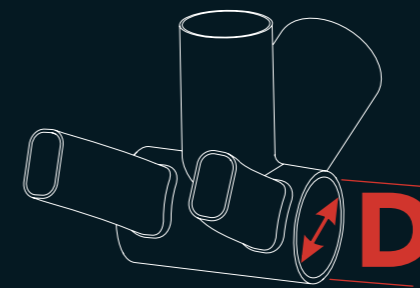


ROTOR BB/CRANK COMPATIBILITY CHART フレーム対応表【ロードバイク】ROAD BIKE



W FRAME DIMENSION
SHELL WIDTH



D FRAME DIMENSION
INNER DIAMETER



ROTOR
BOTTOM BRACKET
COMPATIBILITY



ROTOR
CRANK
COMPATIBILITY

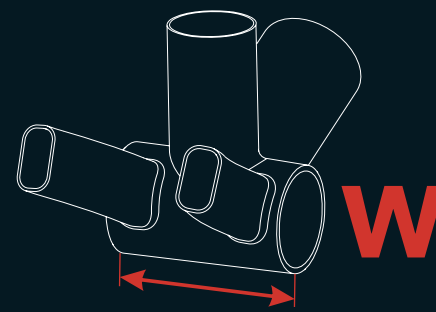


あなたのフレームBBは、ネジが切られていますか？

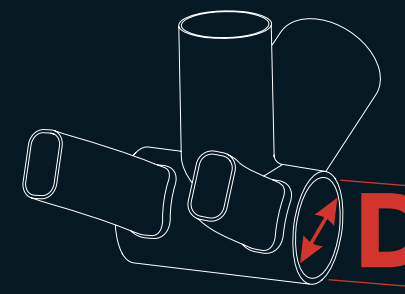
		YES ネジ切りあり		NO ネジ切りなし					
				D = 37 mm BB90	D = 41 mm BB86	D = 42 mm		D = 46 mm	
		W = 68 mm BSA	W = 70 mm ITA			W = 68 mm BB30	W = 79 mm BBRight California	W = 68 mm PressFit30	W = 79 mm BBRight PF
24 mm SPINDLE	24 mm SPINDLE	BB1 BSA SABB BSA 3D AGILIS (All Shimano compatible)	BB1 ITA SABB ITA 3D AGILIS (All Shimano compatible)	3D AGILIS (All Shimano compatible)	Press Fit 4124 3D AGILIS (All Shimano compatible)	BB3024 3D AGILIS (All Shimano compatible)		Press Fit 4624 (in development) 3D AGILIS (All Shimano compatible)	BBRight 4624 3D AGILIS (All Shimano compatible)
	30 mm SPINDLE	BSA30 3D+			Press Fit 4130 (in development) 3D+	BB30 BEARING KIT 3D+	BB30 BEARING KIT 3D+	Press Fit 4630 (in development) 3D+	Press Fit 4630 (in development) 3D+
		YES ネジ切りあり		NO ネジ切りなし					

ROTOR BB/CRANK COMPATIBILITY CHART

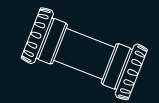
フレーム対応表【マウンテンバイク】 MTB



W FRAME DIMENSION SHELL WIDTH



D FRAME DIMENSION INNER DIAMETER



ROTOR
BOTTOM BRACKET
COMPATIBILITY



ROTOR
CRANK
COMPATIBILITY

あなたのフレームBBは、ネジが切られていますか？

		YES ネジ切りあり		NO ネジ切りなし		NO ネジ切りなし		NO ネジ切りなし	
		D = 37 mm BB90		D = 41 mm		D = 42 mm		D = 46 mm	
		W = 68 mm 73 mm BSA		W = 89,5 mm BB89	W = 92 mm BB92	W = 68 mm BB30 68 mm	W = 73 mm BB30 73 mm	W = 68 mm PressFit30 68 mm	W = 73 mm PressFit30 73 mm
24 mm SPINDLE	BB1 BSA SABB BSA 3D AGILIS (All Shimano compatible)		3D AGILIS (All Shimano compatible)		Press Fit 4124	3D AGILIS (All Shimano compatible)	BB3024 3D AGILIS (All Shimano compatible)	PressFit 4624 (in development)	3D AGILIS (All Shimano compatible)
	30 mm SPINDLE	BSA30 3D+		Press Fit 4130 (in development)		Press Fit 4130 (in development)	3D+	BB30 BEARING KIT 3D+	Press Fit 4630 (in development)
		YES ネジ切りあり		NO ネジ切りなし		NO ネジ切りなし		NO ネジ切りなし	