




ROTOR AGILIS CRANKSET. QUICK INSTALLATION GUIDE.

AGILIS ROAD - 130 BCD
AGILIS ROAD - 110 BCD

Revised 03/2010



**Drive Side Assembly
DO NOT DISASSEMBLE**

Non-Drive Side Assembly
 **DO NOT REMOVE
THE BOLT**

2

3 O-ring

1

Non-Drive Side Cap

4



ROTOR COMPONENTES
TECNOLÓGICOS SL
Pol.Ind. Conmar. C/Miño, 16-18.
28864, Ajalvir, Madrid, Spain

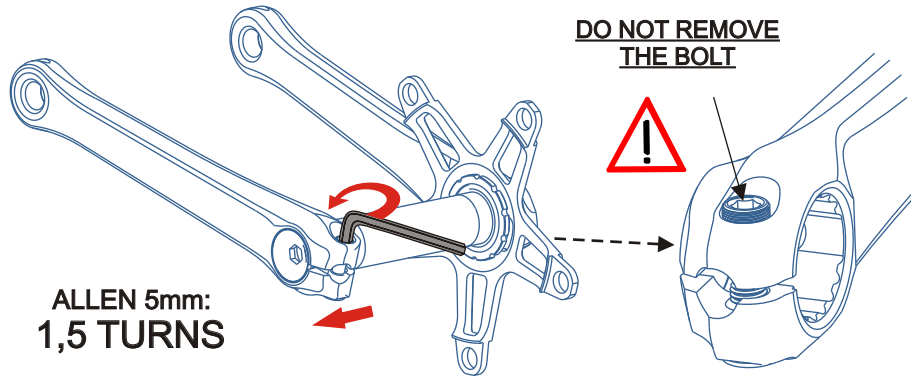
For more information about installation, maintenance and warranty, please www.rotorbike.com
info@rotorbike.com

#1. Bottom Bracket and Rings Installation.

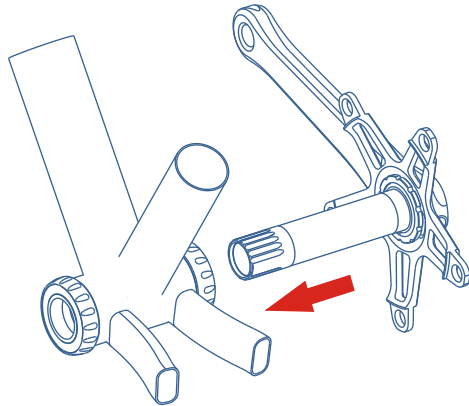
Read ROTOR SABB or BB1, and Q-RINGS user manuals:

www.rotorbike.com

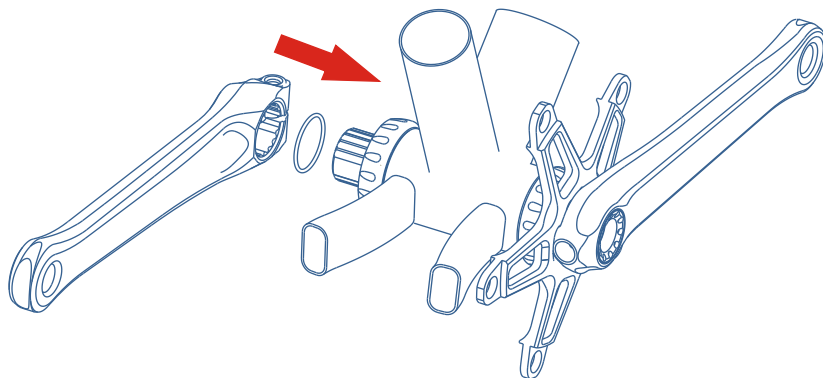
#2. Remove the Non-Drive Side Assembly.



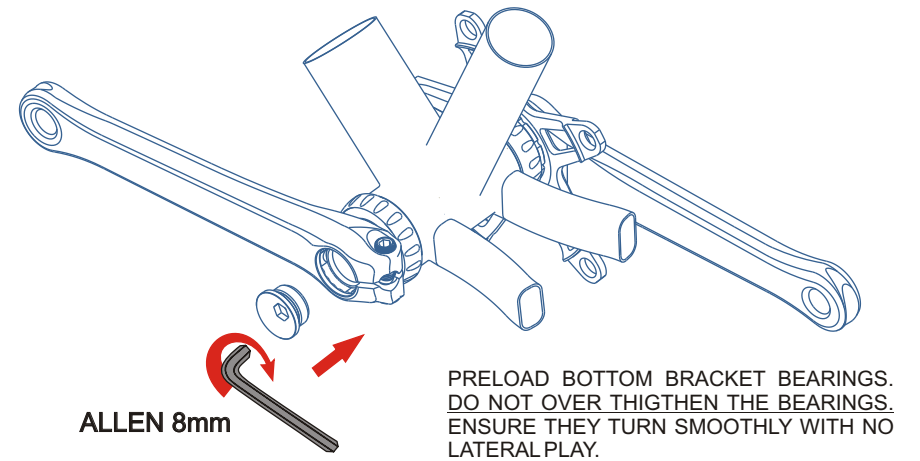
#3. Drive-Side Assembly Installation.



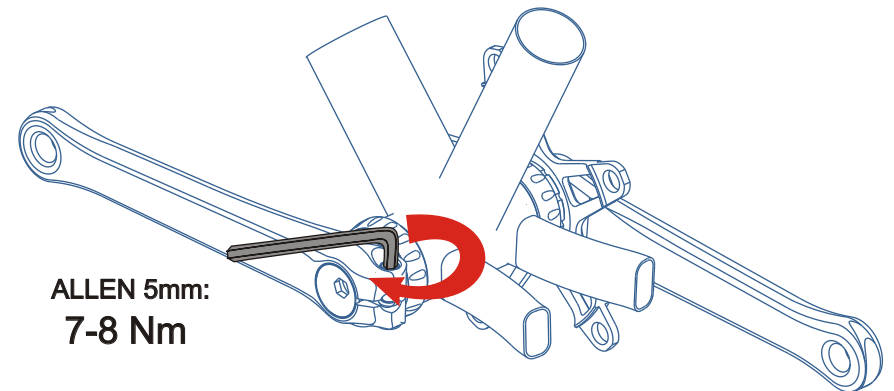
#4. O-ring and Non-Drive Side Installation.



#5. Non-Drive Side Cap installation / preload.



#6. Fixing the Non-Drive Side Assembly.



DISASSEMBLY.

1. Using a Allen 5mm key, unscrew the DTT bolt 2.5 turns (counter-clockwise).

WARNING: DO NOT REMOVE THE BOLT from the Non-Drive Side arm.

2. Using a Allen 8mm key unscrew the Non-Drive Side Cap (counter-clockwise) and remove it.

3. Remove the Non-Drive Side arm and the O-ring from the axle.