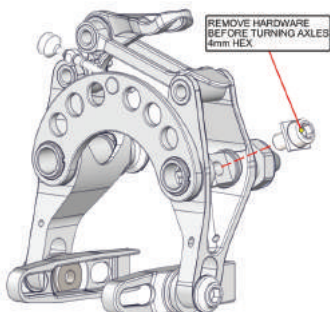


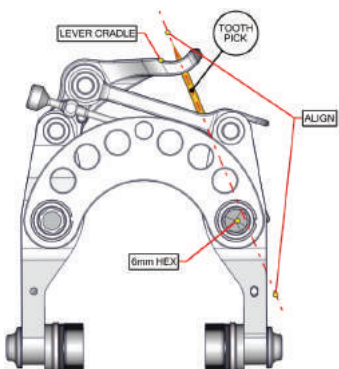


Direct Mount Instruction Supplement



Important ▲

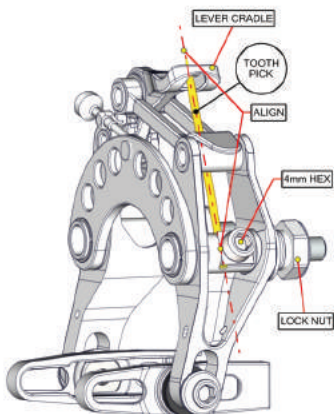
Before turning axles: Unscrew cable bolt is installed may cause part damage.



Axle Installation and Alignment

(Use this with steps 3-6 of the Direct Mount Brake instructions)

From the screwed all the way in position, unscrew the left axle a partial turn with a 6mm key in the axle end aligning the cable mounting surface with the lever cradle.



Use the small wood stick (tooth pick) to aid in alignment. Place the stick in the cable mount. Use it to align the cable mount with the lever cradle.

Then the axle may be locked in place with the lock nut.