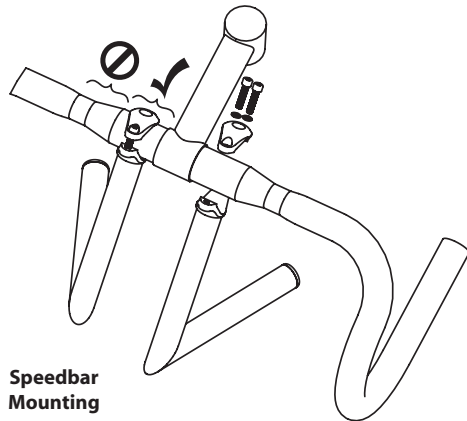
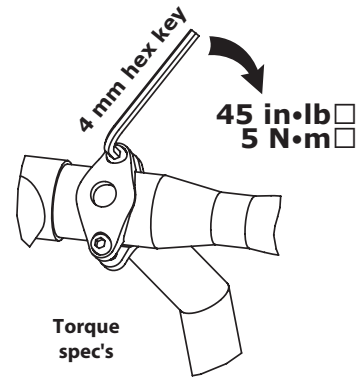




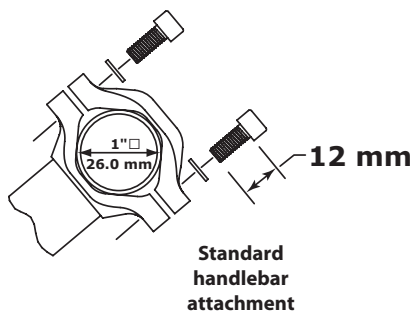
SPEEDBAR Clip-on Aerobar Instructions



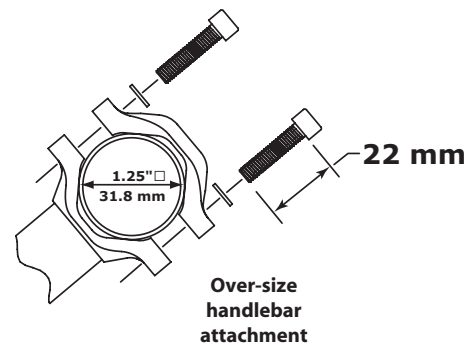
Speedbar Mounting



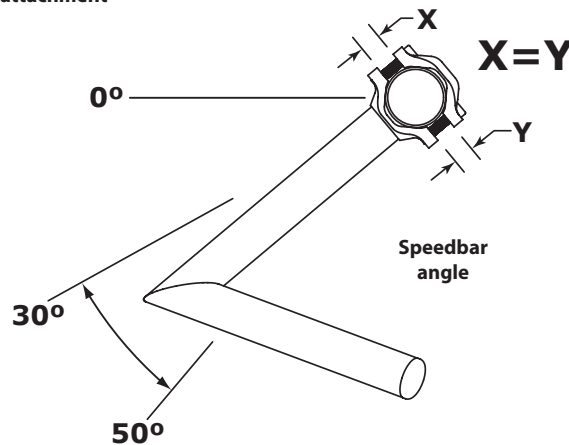
Torque spec's



Standard handlebar attachment



Over-size handlebar attachment



Speedbar angle

WARNING

- Cane Creek Cycling Components suggests that you contact the handlebar manufacturer for installation instructions before installing or using Speedbar's on any carbon fiber handlebar.
- After installation, rotate handlebars through full range of motion to ensure that cables do not restrict rotation.
- Before riding, test tightness of clamp to ensure no movement when pulling/pushing forcefully at ends of bars.

WARRANTY

Cane Creek Cycling Components warrants its bicycle products for a period of 1 year from the original date of purchase. Any product that is found to be defective in materials or workmanship will be repaired or replaced at the discretion of Cane Creek. This warranty applies to the original owner only. This warranty does not cover damage or failure resulting from misuse, abuse, alteration, neglect, wear and tear, crash or impact, lack of maintenance or other conditions judged by Cane Creek to be abnormal, excessive, or improper. It is mandatory that a Return Authorization Number (RA#) be obtained by calling Cane Creek before any product is returned. Additionally, a dated Proof of Purchase must accompany the product when returned. (Revised 7.15.2003)

